

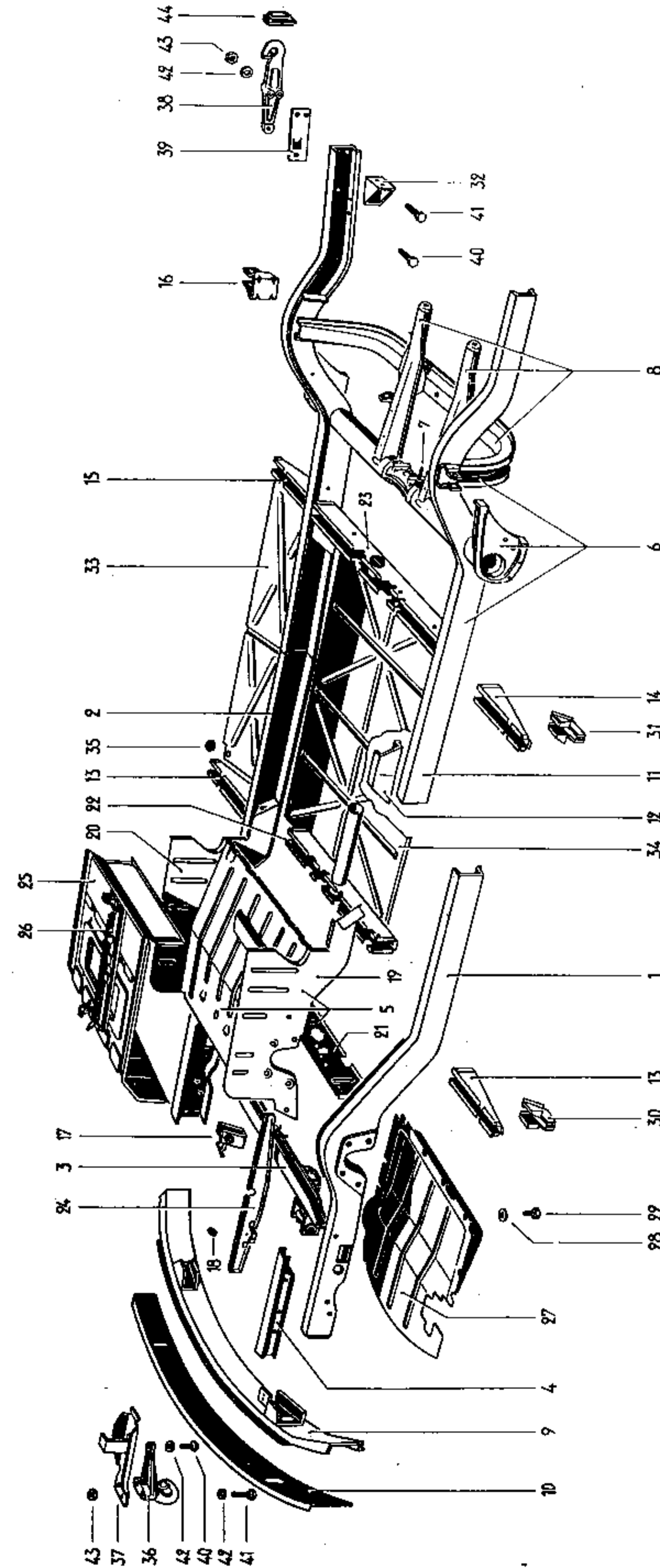
MAIN GROUP



FRAME, HAND- AND FOOT LEVER SYSTEMS

	Illustration
03 Frame	34
07 Bumpers	35
11 Hand lever system	36
21 Foot lever system	37
98 SP sets	—





Key No.	Part No.	Description	Quantity	Type and model
FRAME				
-	211 703 021	Side member, front, left up to Chassis No. 20 - 117 901	1	
1	211 703 021 A	Side member, front, left from Chassis No. 20 - 117 902	1	
-	214 703 022	Side member, front, right up to Chassis No. 20 - 117 901	1	
2	211 703 022 A	Side member, front, right from Chassis No. 20 - 117 902	1	
-	211 703 029 A	Cross member, front (LHD) up to Chassis No. 20 - 117 901	1	211-273
3	211 703 029 C	Cross member, front (LHD) from Chassis No. 20 - 117 902 (use 211 703 221 up to Chassis No. 501 706)	1	211-273
-	214 703 029 C	Cross member, front (RHD) from Chassis No. 20 - 117 902 (up to Chassis No. 501 706 use 211 703 221)	1	214-274
4	211 703 039 B	Steering support (LHD) from Chassis No. 20 - 117 902	1	211-273
-	214 703 039 B	Steering support (RHD) from Chassis No. 20 - 117 902	1	214-274
5	211 703 045 A	Reinforcement between side members, front (LHD) from Chassis No. 20 - 117 902	1	211-273
-	214 703 045 A	Reinforcement between side members, front (RHD) from Chassis No. 20 - 117 902	1	214-274
-	261 703 051	Engine mounting frame with side member up to Chassis No. 20 - 117 901	1	

MAIN GROUP



FRAME
HAND- AND FOOT LEVER SYSTEMS

Frame

Key No.	Part No.	Description	Quantity	Type and model
6	211 703 051 B	Engine mounting frame with side member from Chassis No. 20 - 117 902 (for partially synchronized transmission use gearshift housing 113 301 205)	1	
7	N 14 420 4	Stud AM 10 B×32 galvanized from Chassis No. 469 506	2	
8	211 703 055	Engine mounting frame	1	
9	211 703 071 B	Front end support (LHD) from Chassis No. 20 - 10 518	1	211-273
-	214 703 071 A	Front end support (RHD)	1	214-274
10	211 703 073 A	Cover plate - Front end support from Chassis No. 20 - 10 518	1	
11	211 703 109	Side member, rear, left	1	
-	211 703 110	Side member, rear, right	1	
12		no longer available		
13	211 703 125	Outrigger, front, left and right	2	
14	211 703 131	Outrigger, center left	1	
15	211 703 132	Outrigger, center right	1	
16	211 703 171 A	Bracket - Shock absorber mounting from Chassis No. 20 - 117 902	2	
-	214 703 191	Support for accelerator pedal shaft on side member, right (RHD) from Chassis No. 20 - 117 902	1	214-274
17	211 703 221	Bearing support - Hand brake lever up to Chassis No. 501 706 (from Chassis No. 501 707 the part is contained in 211 801 051 C/E/214 801 051 C)	1	
-	214 703 223	Stop - Accelerator lever cable connection (RHD)	1	214-274
-	214 703 265	Support for accelerator pedal shaft on steering ... support (RHD) from Chassis No. 20 - 117 902	1	214-274
18	211 703 291	Rubber stop - Clutch pedal lever from Chassis No. 20 - 117 902	1	

MAIN GROUP



FRAME
HAND AND FOOT LEVER SYSTEMS

Frame 343

Key No.	Part No.	Description	Quantity	Type and model
19	211 703 305 A	Reinforcement - Side member, front, left	1	
20	211 703 312 A	Reinforcement - Side member, front, right	1	
21	211 703 351 B	Cross plate - Side member reinforcement (LHD) from Chassis No. 20 - 117 902	1	211-273
-	214 703 351 B	Cross plate - Side member reinforcement (RHD) from Chassis No. 20 - 117 902	1	214-274
22	211 703 391 B	Intermediate brace - Side member reinforcement	1	
23	211 703 475 C	Intermediate brace - Side member, rear from Chassis No. 20 - 117 902	1	
-	211 703 501 B	Guide tube - Brake cable	2	
-	211 703 509 B	Guide tube - Accelerator cable (LHD)	1	211-273
-	214 703 509 B	Guide tube - Accelerator cable (RHD)	1	214-274
-	215 703 513 A	Guide tube - Choke control cable up to Chassis No. 614 455	1	215, 216, 225, 228, 235, 237, 238, 241, 244
-	211 703 517	Guide tube - Clutch cable (LHD) up to Chassis No. 20 - 117 901	1	211-273
-	211 703 517 B	Guide tube - Clutch cable (LHD) from Chassis No. 20 - 117 902	1	211-273
-	214 703 517 B	Guide tube - Clutch cable (RHD)	1	214-274
-	211 703 523 B	Guide tube - Heating control cable	2	
24		no longer available		
-	211 703 555	Longitudinal support, front up to Chassis No. 20 - 117 901	1	
-	111 701 241 A	Guide sleeve - Heating control cable from Chassis No. 20 - 041 712	1	
25	211 703 599 D	Seat box (LHD) from Chassis No. 971 550	1	211-273

MAIN GROUP

7

FRAME
HAND AND FOOT LEVER SYSTEMS

Frame

Key No.	Part No.	Description	Quantity	Type and model
-	211 801 239 B	Seat runner, outer - Sliding seat (LHD) from Chassis No. 971 550	1	211-273
-	214 801 239	Seat runner, inner - Sliding seat (RHD) from Chassis No. 971 550	1	214-274
26	211 801 240	Seat runner, inner - Sliding seat (LHD) from Chassis No. 971 550	1	211-273
-	214 801 240	Seat runner, outer - Sliding seat (RHD) from Chassis No. 971 550	1	214-274
-	211 703 601 D	Seat box from Chassis No. 20 - 117 902 up to 971 549	1	
27	211 703 609 B	Cover plate under pedal linkage (LHD) from Chassis No. 20 - 117 902	1	211-273
-	214 703 609 A	Cover plate under pedal linkage (RHD) from Chassis No. 20 - 117 902	1	214-274
-	N 10 210 7	Bolt, hex. head M 6x10	8	
28	N 11 695 2	Washer 6.1	12	
29	N 13 890 2	Tapping screw hex. head B 6.3x13	x	
-	211 703 611	Cover plate under pedal linkage (LHD) up to Chassis No. 20 - 117 901	1	211-273
30	211 703 621	Socket - Jack (square), front, left	1	
-	211 703 622	Socket - Jack (square), front, right	1	
31	211 703 631	Socket - Jack (square), rear	2	
-	211 703 651	Bracket - Side member, left	1	

MAIN GROUP

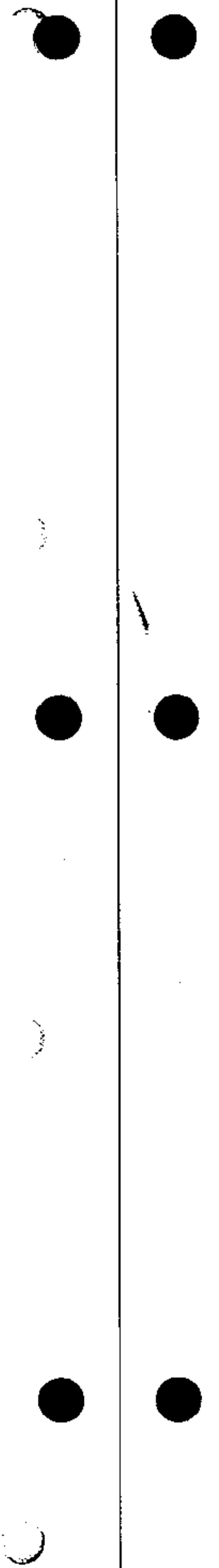
7

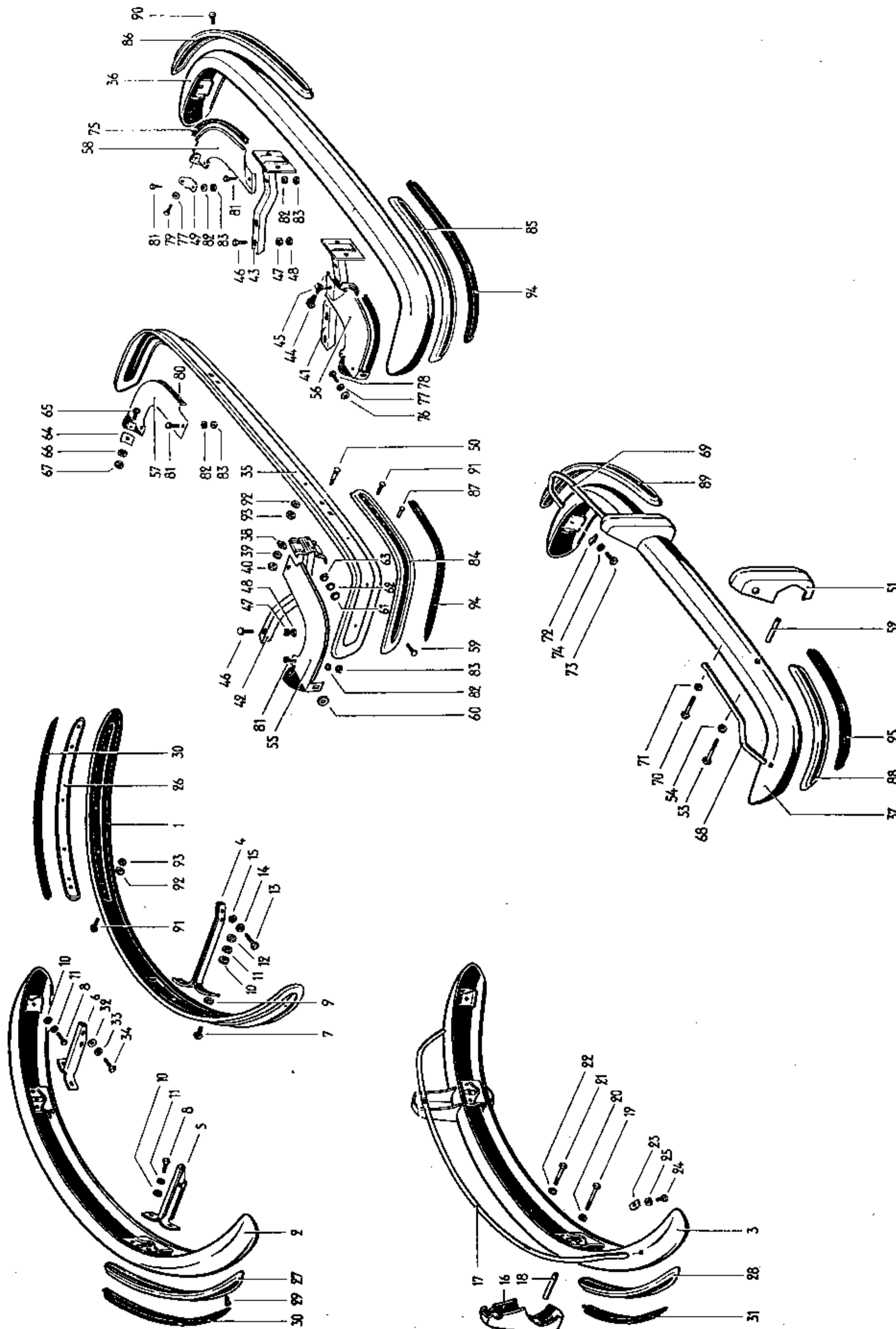
FRAME
HAND- AND FOOT LEVER SYSTEMS

Frame

345

Key No.	Part No.	Description	Quantity	Type and model
32	211 703 652	Bracket - Side member, right	1	
-	215 703 705	Under floor plate, left	1	215, 216, 225, 228, 235, 237, 238, 241, 244
33	215 703 706	Under floor plate, right	1	215, 216, 225, 228, 235, 237, 238, 241, 244
34	215 703 715	Under floor plate, center	1	215, 216, 225, 228, 235, 237, 238, 241, 244
35	N 20 004 1	Grommet A 16.5	6	215, 216, 225, 228, 235, 237, 238, 241, 244
36	271 703 721	Towing hook, front	1	271-274
37	271 703 732	Side member reinforcement for towing hook	1	271-274
38	271 703 741	Towing hook, rear	1	271-274
39	271 703 747	Reinforcement plate for towing hook, rear	1	271-274
40	N 10 230 3	Bolt, hex. head M 10x30	2	
41	N 10 450 1	Bolt, hex. head M 10x50	4	
42	N 12 011 2	Lock ring A 10	6	
43	N 11 010 4	Nut, hex. M 10	6	
44	271 703 749	Rubber for towing hook, rear	1	271-274





Key No.	Part No.	Description	Quantity	Type and model
BUMPERS				
1	211 707 105	Bumper, front up to Chassis No. 384 999	1	
2	211 707 105 D	Bumper, front from Chassis No. 385 000 (from Chassis No. 385 000 up to 215 190 000 for types 241, 244 the following parts are additionally required: 214 707 212 A Molding right - Bumper, front 1 241 707 211 C Molding left - Bumper, front 1)	1	
3	213 707 105 B	Bumper, front (bumper guard) (from Chassis No. 385 000 up to 215 190 000 for types M 175, 241, 244 the following parts are additionally required: 241 707 213 A Molding left - Bumper, front 1 241 707 214 A Molding right - Bumper, front 1)	1	M 175, M 176
-	211 707 135	Bracket - Bumper (front, left) up to Chassis No. 20 - 117 901	1	
4	211 707 135 A	Bracket - Bumper (front, left) from Chassis No. 20 - 117 902 up to 384 999	1	
5	211 707 135 B	Bracket - Bumper (front, left) from Chassis No. 385 000	1	
-	211 707 136	Bracket - Bumper (front, right) up to Chassis No. 20 - 117 901	1	
-	211 707 136 A	Bracket - Bumper (front, right) from Chassis No. 20 - 117 902 up to 384 999	1	
6	211 707 136 B	Bracket - Bumper (front, right) from Chassis No. 385 000	1	
7	113 707 191	Screw - Bumper 211 707 105	6	
8	N 10 240 2	Bolt, hex. head M 8x20 DIN 933 galvanized	6	
9	N 11 527 1	Washer A 10.5 DIN 125 galvanized	4	
10	111 821 149 A	Spring washer	6	
11	N 12 008 2	Lock washer B 8 DIN 127 galvanized	6	
12	N 11 008 3	Nut, hex. M 8 DIN 934 galvanized	4	

Key No.	Part No.	Description	Quantity	Type and model
13	N 10 242 5	Bolt, hex. head BM 8×25 DIN 931	4	
14	N 11 670 1	Washer 8.1	6	
15	N 12 008 2	Lock washer B 8 DIN 127 galvanized	6	
16	213 707 155 A	Override - Bumper 213 707 105/B	2	M 175, M 176
17	213 707 177	Bow - Bumper 213 707 105/B	1	M 175, M 176
18	213 707 225	Distance tube, front (length: 55 mm)	2	M 175, M 176
19	N 10 370 1	Bolt, hex. head BM 8×70 DIN 931 galvanized ...	2	M 175, M 176
20	N 12 008 2	Lock washer B 8 DIN 127 galvanized	2	M 175, M 176
21	N 10 360 2	Bolt, hex. head BM 8×60 DIN 931 galvanized ...	2	M 175, M 176
22	N 12 008 2	Lock washer B 8 DIN 127 galvanized	2	M 175, M 176
23	213 707 195	Packing	2	M 175, M 176
24	N 10 241 3	Bolt, hex. head M 8×22 DIN 933 galvanized	2	M 175, M 176
25	N 12 008 2	Lock washer B 8 DIN 127 galvanized	2	M 175, M 176
-	241 707 205	Molding 850 mm long (with rubber profile) - Bumper, front	2	241, 244
-	241 707 211 B	Molding, left - Bumper, front	1	241, 244
		up to Chassis No. 215 190 000		
27	241 707 211 C	Molding, left - Bumper, front	1	241, 244
		from Chassis No. 216 000 001		
-	241 707 212	Molding, right - Bumper, front	1	241, 244
		up to Chassis No. 215 190 000		
26	241 707 212 A	Molding, right - Bumper, front	1	241, 244
		from Chassis No. 216 000 001		
-	241 707 213	Molding, left - Bumper, front (bumper guard) ...	1	M 175: 241, 244
		up to Chassis No. 215 190 000		
28	241 707 213 A	Molding, left - Bumper, front (bumper guard) ...	1	M 175: 241, 244
		from Chassis No. 216 000 001		
-	241 707 214	Molding, right - Bumper, front (bumper guard) ..	1	M 175: 241, 244
		up to Chassis No. 215 190 000		
-	241 707 214 A	Molding, right - Bumper, front (bumper guard) ..	1	M 175: 241, 244
		from Chassis No. 216 000 001		
29	N 15 890 2	Tapping screw, fillister head A 4.9×13 DIN 7971 galvanized	8	

Key No.	Part No.	Description	Quantity	Type and model
30	241 707 221 A	Rubber profile for moldings 241 707 211 A/B/212/A	2	241, 244
31	241 707 223	Rubber profile for molding 241 707 213/A/214/A...	2	M 175: 241, 244
32	*211 707 189	Spring washer	4	
33	N 12 010 2	Lock washer B 10 DIN 127 galvanized	4	
34	N 10 252 1	Bolt, hex. head M 10x20 DIN 933 galvanized ...	4	
35	211 707 305	Bumper, rear	1	211-244, 271-274
		up to Chassis No. 384 999		
36	211 707 305 B	Bumper, rear	1	
		from Chassis No. 385 000		
37	213 707 305 A	Bumper, rear (bumper guard))	1	M 175, M 176
-	261 707 305	Bumper, rear up to Chassis No. 384 999	1	261-264
38	211 707 329	Retaining plate	4	
39	N 12 008 2	Lock washer B 8 DIN 127 galvanized	4	
40	N 11 008 3	Nut, hex. M 8 DIN 934 galvanized	4	
41	211 707 333	Bracket - Bumper (rear, left) ✓	1	
		from Chassis No. 469 506 up to 1 167 862		
42	211 707 335	Bracket - Bumper (rear, left)	1	
		up to Chassis No. 384 999		
43	211 707 335 A	Bracket - Bumper (rear)	2	
		from Chassis No. 385 000 up to 469 505		
		from Chassis No. 1 167 863		
-	211 707 335 A	Bracket - Bumper (rear, right)	2	
		from Chassis No. 469 506 up to 1 167 862		
44	N 10 240 2	Bolt, hex. head M 8x20 DIN 933 galvanized	4	
45	N 12 008 2	Lock washer B 8 DIN 127 galvanized	4	
-	211 707 336	Bracket - Bumper (rear, right)	1	
		up to Chassis No. 384 999		
46	N 10 252 1	Bolt, hex. head M 10x20 DIN 933 galvanized ...	4	
-	*211 707 189	Spring washer	4	

Printed in Germany 735 228 20

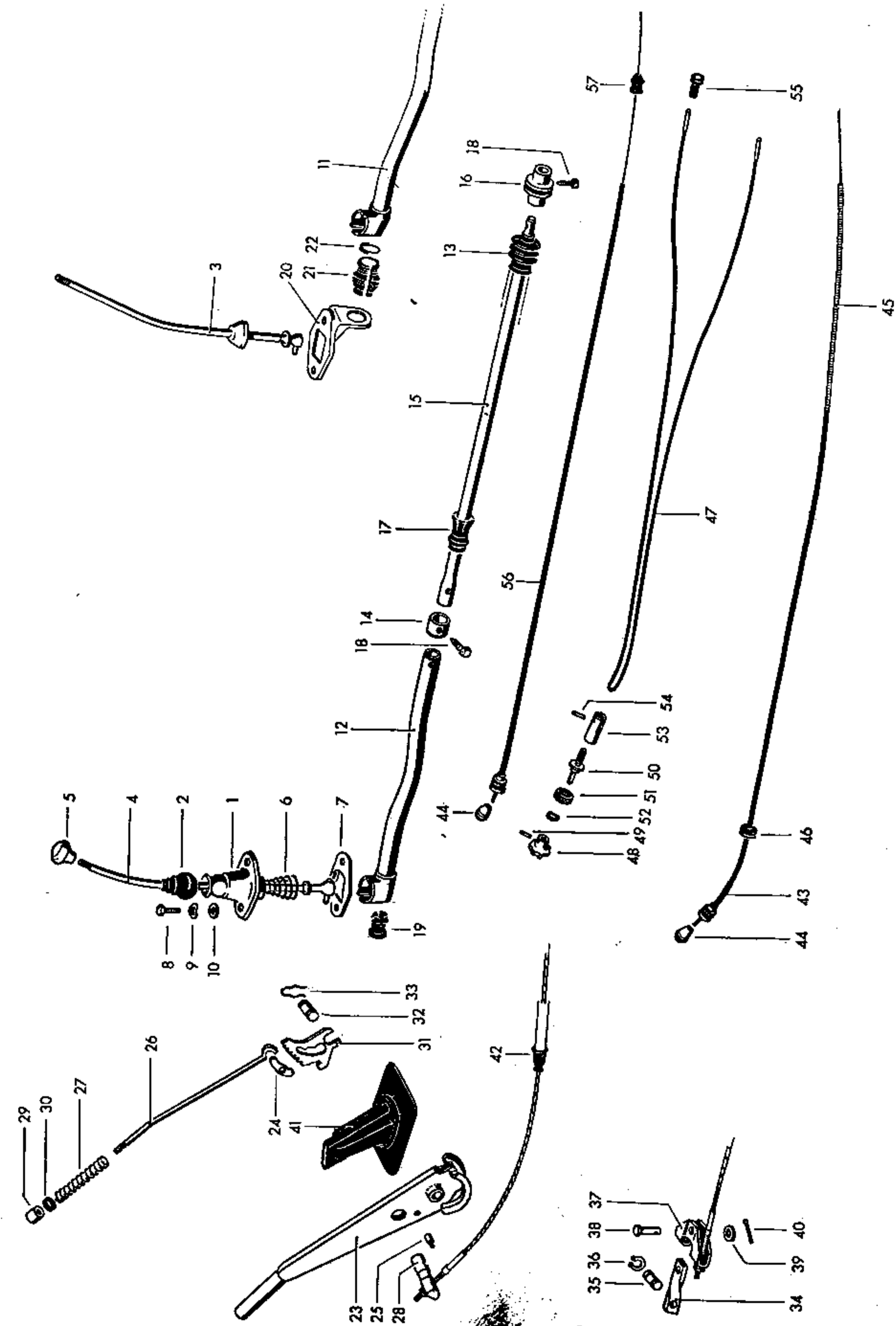


Key No.	Part No.	Description	Quantity	Type and model
47	N 12 010 2	Lock washer B 10 DIN 127 galvanized	4	
48	N 11 010 2	Nut, hex. M 10 DIN 934 galvanized	4	
-	211 707 345	Reinforcement for left corner panel	1	
49	211 707 346	Reinforcement for right corner panel	1	
50	211 707 349	Screw - Bumper 211 707 305/B	4	
51	213 707 355 A	Override, rear, left	1	M 175, M 176
-	213 707 356 A	Override, rear, right	1	M 175, M 176
52	213 707 425	Distance tube, rear (length: 50 mm)	2	M 175, M 176
53	N 10 370 1	Bolt, hex. head BM 8x70 DIN 931 galvanized	2	M 175, M 176
54	N 12 008 2	Lock washer B 8 DIN 127 galvanized	2	M 175, M 176
55	211 707 361	Cover plate, left up to Chassis No. 384 999	1	211-244, 271-274
56	211 707 361 B	Cover plate, left from Chassis No. 385 000	1	
-	261 707 361	Cover plate, left up to Chassis No. 384 999	1	261-264
57	211 707 362	Cover plate, right up to Chassis No. 384 999	1	211-244, 271-274
58	211 707 362 B	Cover plate, right from Chassis No. 385 000	1	
-	261 707 362	Cover plate, right up to Chassis No. 384 999	1	261-264
59	211 707 367	Bolt - Cover plate up to Chassis No. 384 999	2	
60	N 11 655 2	Washer 11.5 galvanized	2	
61	N 11 654 2	Washer 9.5 galvanized	2	
62	N 12 008 2	Lock washer B 8 DIN 127 galvanized	2	
63	N 11 008 3	Nut, hex. M 8 DIN 934 galvanized	2	
64	211 707 379	Reinforcement plate	2	



Key No.	Part No.	Description	Quantity	Type and model
65	N 10 240 4	Bolt, hex. head M 8x20	2	
66	N 12 008 2	Lock washer B 8	2	
67	N 11 008 8	Nut, hex. M 8	2	
68	263 707 385	Bow, rear, left - Bumpers 213/263 707 305	1	M 175, M 176
69	263 707 386	Bow, rear right - Bumpers 213/263 707 305	1	M 175, M 176
70	N 10 350 3	Bolt, hex. head M 8x50	2	M 175, M 176
71	N 12 008 2	Lock washer B 8	2	M 175, M 176
72	213 707 195	Packing	2	M 175, M 176
73	N 10 241 3	Bolt, hex. head M 8x22	2	M 175, M 176
74	N 12 008 2	Lock washer B 8	2	M 175, M 176
-	261 829 577	Rubber buffer - Side panel	4	M 176: 261-264
-	N 10 724 1	Cheese head AM 5x40	4	M 176: 261-264
75	211 707 397 B	Rubber strip - Cover plate from Chassis No. 385 000	2	
76	111 821 149 A	Spring washer	2	
77	N 12 008 2	Lock washer B 8	4	
78	N 10 240 4	Bolt, hex. head M 8x20	2	
79	N 10 238 7	Bolt, hex. head M 8x15	2	
80		no longer available		
81	N 10 207 3	Bolt, hex. head M 5x12	4	
82	N 12 005 1	Lock washer B 5	4	
83	N 11 005 2	Nut, hex. M 5	4	

Key No.	Part No.	Description	Quantity	Type and model
84/85	241 707 411 B	Molding, left - Bumper, rear (outer end symmetrical)	1	241, 244
86	241 707 412 B	Molding, right - Bumper, rear (outer end symmetrical)	1	241, 244
87	N 13 447 1	Rivet - Button head 6×12	4	241, 244
-	241 707 413	Molding, left - Bumper with guard, rear (outer end asymmetrical)	1	M 175: 241, 244
88	241 707 413 A	Molding, left - Bumper with guard, rear (outer end symmetrical)	1	M 175: 241, 244
89	241 707 414 A	Molding, right - Bumper with guard, rear (outer end symmetrical)	1	M 175: 241, 244
90	N 15 890 2	Metal screw, fillister head B 4.9×13	8	
91	N 10 506 2	Screw, cup head M 6×15	8	241, 244
92	111 821 149 A	Spring washer	8	
93	N 11 006 2	Nut, hex. M 6	8	241, 244
94	241 707 421 A	Rubber profile, length 770 mm for moldings 241 707 411 A/B/412 A/B	2	241, 244
95	241 707 423 A	Rubber profile, length 445 mm for moldings 241 707 413 A/414 A	2	M 175: 241, 244
-	241 707 424	Rubber profile for molding 241 707 414	1	M 175: 241, 244



359

Key No.	Part No.	Description	Quantity	Type and model
HAND LEVER SYSTEM				
1	211 711 105	Ball housing - Gearshift lever	1	
2	111 711 115 A	Rubber boot - Gearshift lever	1	
	3/50 -	469 anthracite - 75, 76, 77, 80, 81, 83, 94		
	8/65 -	043 grey black - 70, 71, 72		
-	211 711 121	Gearshift lever	1	
		up to Chassis No. 501 706		
3	211 711 121 A	Gearshift lever	1	
		from Chassis No. 501 707 up to 216 028 111		
4	211 711 121 B	Gearshift lever	1	
		from Chassis No. 216 028 112		
5	113 711 141	Knob - Gearshift lever	1	
	3/50 - 7/66	466 silver beige		
	8/66 -	043 grey black		
6	211 711 145 A	Spring - Gearshift lever	1	
7	211 711 149	Stop - Gearshift lever	1	
8	N 10 242 5	Bolt, hex. head M 8x25	2	
9	N 12 241 2	Spring washer B 8x15	2	
10	N 11 654 2	Washer 9.5	2	
-	211 711 155	Rod - Gearshift, front	1	
		up to Chassis No. 501 706		
-	214 711 155	Rod - Gearshift, front	1	
		from Chassis No. 501 707 up to 835 087		
11	211 711 155 B	Rod - Gearshift, front	1	
		from Chassis No. 835 088 up to 216 028 111		
12	211 711 155 C	Rod - Gearshift, front	1	
		from Chassis No. 216 028 112		
13	211 711 167 A	Sealing sleeve for transmission shift rod, rear	1	
		from Chassis No. 306 726		
-	211 711 169	Coupling, front - Gearshift rod	1	
		up to Chassis No. 835 087		
14	211 711 169 A	Coupling - Gearshift rod	1	
		from Chassis No. 835 088		
-	214 711 171	Rod - Gearshift, rear	1	
		up to Chassis No. 835 087		

MAIN GROUP



FRAME
HAND- AND FOOT LEVER SYSTEMS

Hand lever system

Key No.	Part No.	Description	Quantity	Type and model
15	211 711 171 B	Rod - Gearshift, rear from Chassis No. 835 088	1	
16	111 711 175 B	Coupling - Gearshift rod	1	
-	211 711 185 A	Guide bush - Gearshift rod, rear up to Chassis No. 835 087	2	
17	211 711 185 B	Guide bush - Gearshift rod, rear from Chassis No. 835 088	2	
18	111 711 189	Screw - Gearshift rod coupling	4	
-	211 711 195	Guide tube - Gearshift rod, rear	1	
19	211 711 197	Sleeve - Gearshift rod guide from Chassis No. 216 028 112	1	
-	211 711 199	Guide spring - Gearshift rod, rear	1	
20	111 701 255 B	Guide - Gearshift rod up to Chassis No. 216 028 111	1	
21	111 701 259 A	Sleeve - Gearshift rod guide up to Chassis No. 216 028 111	1	
22	111 701 263	Retaining ring - Gearshift rod guide sleeve up to Chassis No. 216 028 111	1	
-	211 711 305	Lever - Hand brake up to Chassis No. 20 - 041 711	1	
-	211 711 305 A	Lever - Hand brake from Chassis No. 20 - 041 712 up to 614 455 from Chassis No. 215 098 337	1 1	M 36
-	211 711 305 B	Lever - Hand brake from Chassis No. 614 456	1	
24	111 711 321	Pawl - Hand brake	1	
25	111 711 323	Pin - Hand brake pawl	1	
-	111 711 325	Rod - Hand brake pawl up to Chassis No. 20 - 041 711	1	
26	211 711 325	Rod - Hand brake pawl from Chassis No. 20 - 041 712	1	
27	111 711 329	Spring - Pawl rod	1	
28	211 711 331	Anchor pin - Brake cables from Chassis No. 614 456	1	

MAIN GROUP



FRAME
HAND- AND FOOT LEVER SYSTEMS

Hand lever system

361

Key No.	Part No.	Description	Quantity	Type and model
29	113 711 333 A	Release button - Hand brake lever 466 silver beige 043 grey black	1	
30	111 711 335	Washer - Hand brake lever	1	
-	111 711 339	Sector - Hand brake up to Chassis No. 20 - 041 711	1	
31	211 711 339	Sector - Hand brake from Chassis No. 20 - 041 712	1	
-	111 711 341	Pin - Hand brake lever up to Chassis No. 20 - 041 711	1	
-	N 12 415 1	Lockring 15x1	2	
32	211 711 341 A	Pin - Hand brake lever from Chassis No. 20 - 041 712	1	
33	211 711 343	Spring clip from Chassis No. 20 - 041 712	2	
-	211 711 345	Link - Hand brake up to Chassis No. 501 706	1	
34	211 711 345 A	Link - Hand brake from Chassis No. 501 707	1	
35	211 711 347	Pin - Hand brake link up to Chassis No. 614 455 from Chassis No. 215 098 337	1 1	M 36
36	N 12 458 1	Circlip 10	2	
37	211 711 391	Compensating lever from Chassis No. 20 - 041 712 up to 614 455 from Chassis No. 215 098 337	1 1	M 36
38	N 13 279 1	Bolt 10x23x19 - Compensating lever from Chassis No. 20 - 041 712 up to 614 455 from Chassis No. 215 098 337	1 1	M 36
39	N 11 527 1	Washer A 10.5	1	
40	N 12 530 1	Cotter pin 3x15	1	
-	211 711 399	Link - Hand brake lever up to Chassis No. 20 - 041 711	1	
-	N 11 565 1	Washer 15	2	
-	N 12 415 1	Lockring 15x1	2	

MAIN GROUP



FRAME
HAND- AND FOOT LEVER SYSTEMS

Hand lever system

Key No.	Part No.	Description	Quantity	Type and model
41	211 863 341 5/60 -	Rubber boot - Hand brake lever from Chassis No. 614 456 041 black	1	
42	111 721 365	Grommet - Brake cable from Chassis No. 614 456	2	
-	241 711 505	Cable - Choke control (length 3348 mm) up to Chassis No. 20 - 041 711	1	
43	211 711 505 B	Cable - Choke control (Bowden) (length: 3380 mm) from Chassis No. 20 - 041 712 up to 614 455	1	
-	111 941 541	Knob black - Choke control cable up to Chassis No. 614 455	1	211-216, 231-238, 261-274
44	113 941 541 3/50 - 5/60	Knob - Choke control cable up to Chassis No. 614 455 567 ivory	1	221-228, 241, 244
45	111 711 531	Sleeve - Choke control cable up to Chassis No. 20 - 041 711	1	
46	111 711 535	Grommet - Choke control cable (through partition)	1	
-	271 711 603	Cable, heating control - Warm air distributor ...	1	271-274
-	211 711 607	Cable - Heating control (length 2978/2963 mm) ... up to Chassis No. 20 - 014 684	1	
-	211 711 607 A	Cable - Heating control (length 2891/2887 mm.) ... up to Chassis No. 20 - 014 684	1	
-	111 711 611	Knob - Heating control cable (black) up to Chassis No. 20 - 014 684	1	
-	211 711 629 A	Cable - Heating control (length 5735 mm) from Chassis No. 20 - 014 685 up to 20 - 117 901	1	
47	211 711 629 B	Cable - Heating control (length 5715 mm) from Chassis No. 20 - 117 902	1	
48	113 711 623 A 1/52 -	Knob - Heating control cable from Chassis No. 20 - 014 685 466 silver beige	1	
49	N 13 328 1	Pin 3 x 20	1	
-	111 711 655 A	Bolt - Heating control cable	1	
50	111 711 671 A	Spindle - Heating control cable	1	

MAIN GROUP



FRAME
HAND- AND FOOT LEVER SYSTEMS

Hand lever system

363

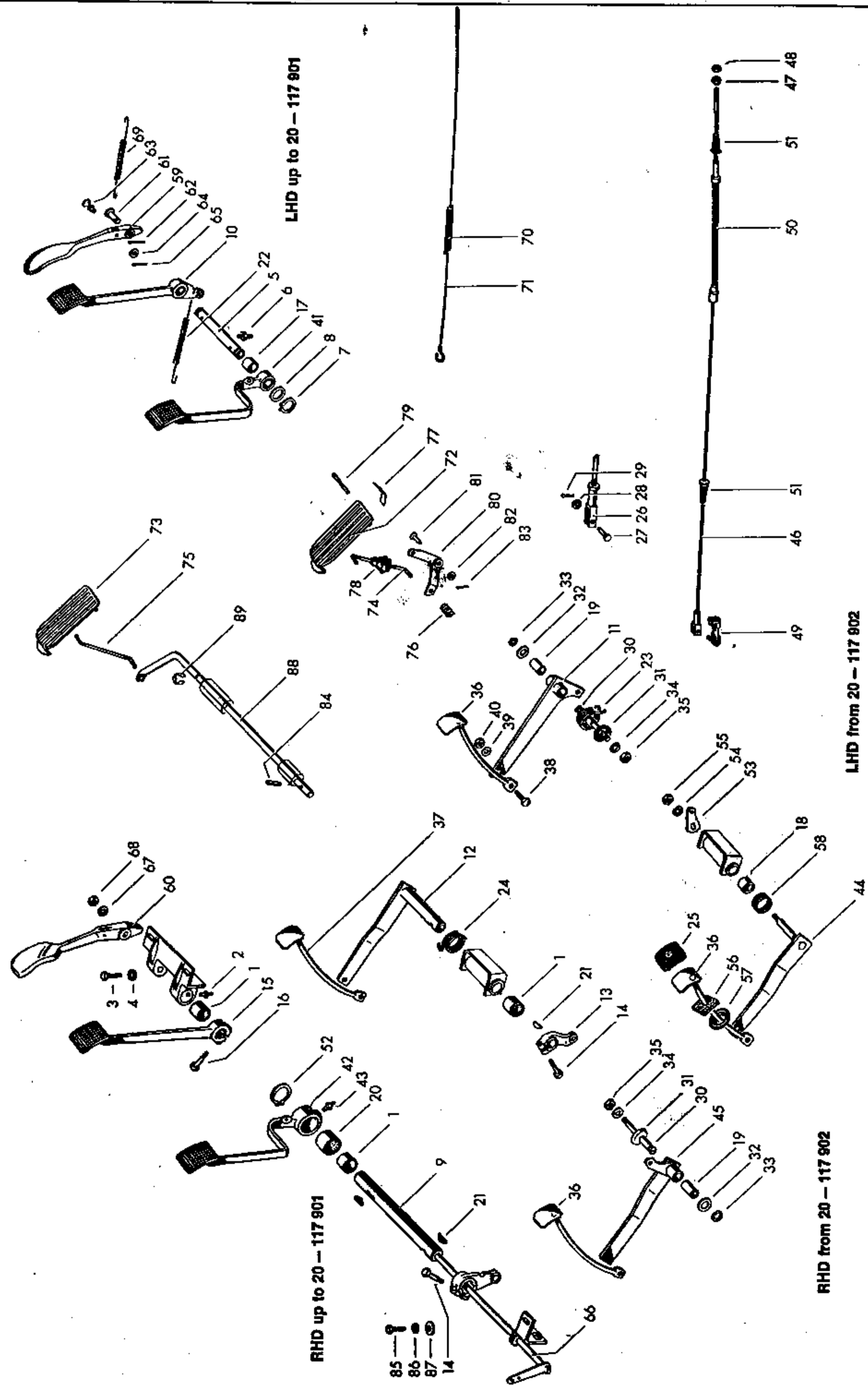
Key No.	Part No.	Description	Quantity	Type and model
51	*111 711 675	Cap - Heating control cable	1	
52	*111 711 677	Spring washer	1	
53	*111 711 681	Clevis - Heating control cable	1	
54	N 13 216 1	Dowel pin 4x14 DIN 7	1	
55	*111 711 691	Grommet	2	
56	211 711 705	Bowden cable - Fuel tap (length 2765 mm)	1	211-244, 271-274
-	211 711 705 A	Bowden cable - Fuel tap (length 2815 mm)	1	M 183, M 184
-	261 711 705	Bowden cable - Fuel tap (length 2180 mm)	1	261-264
57	211 711 725	Cap - Bowden cable	1	

Printed in Germany 735 223 20

Printed in Germany

Key No.	Part No.	Description	Quantity	Type and model

6



Key No.	Part No.	Description	Quantity	Type and model
FOOT LEVER SYSTEM				
1	214 721 113	Bush - Brake pedal shaft (RHD)	2	214-274
2	N 18 515 1	Grease nipple A 6	1	214-274
3	N 10 240 1	Bolt, hex. head M 8×20	3	214-274
4	N 12 008 2	Lock washer B 8	3	214-274
5	211 721 121	Shaft - Brake pedal (LHD)	1	211-273
		up to Chassis No. 20 - 117 901		
6	N 18 530 1	Grease nipple A 10	1	211-273
7	N 12 416 1	Lockring 16×1	2	211-273
8	N 11 567 1	Washer 17	2	211-273
9	214 721 125	Shaft - Brake pedal (RHD)	1	214-274
		up to Chassis No. 20 - 117 901		
10	211 721 139	Pedal - Brake, with bush (LHD)	1	211-273
		up to Chassis No. 20 - 117 901		
11	211 721 141	Lever - Brake pedal (LHD)	1	211-273
		from Chassis No. 20 - 117 902		
12	214 721 141	Lever - Brake pedal (RHD)	1	214-274
		from Chassis No. 20 - 117 902		
13	214 721 145	Brake lever on brake pedal shaft (RHD)	1	214-274
		from Chassis No. 20 - 117 902		
14	N 10 247 3	Bolt, hex. head M 8×35	1	214-274
15	214 721 151	Pedal - Brake (RHD)	1	214-274
		up to Chassis No. 20 - 117 901		
16	111 415 421	Bolt - Brake pedal (RHD)	1	214-274
17	211 721 153 B	Bush - Brake and clutch pedals (LHD)	2	211-273
		up to Chassis No. 20 - 117 901		
18	211 721 153 B	Bush - Clutch pedal (LHD)	2	211-273
		from Chassis No. 20 - 117 902		

MAIN GROUP

7

FRAME
HAND AND FOOT LEVER SYSTEMS

Foot lever system

Key No.	Part No.	Description	Quantity	Type and model
19	211 721 153 C	Bush - Brake pedal lever from Chassis No. 20 - 117 902	1	
20	214 721 153	Bush - Clutch pedal (RHD)	1	214-274
21	111 721 157	Key - Brake pedal lever (RHD)	1	214-274
22	211 721 163	Return spring - Brake pedal lever up to Chassis No. 20 - 117 901	1	
23	211 721 163 A	Return spring - Brake pedal lever (LHD) from Chassis No. 20 - 117 902	1	211-273
24	214 721 163	Return spring - Brake pedal lever (RHD)	1	214-274
25	311 721 173 A	Rubber pad - Brake and clutch pedals	2	
-	211 721 205 E	Push bar - Master cylinder 22.2 (length 115 mm) from Chassis No. 20 - 117 902 up to 1 144 281	1	
26	211 721 205 D	Push bar - Master cylinder 22.2 (length 108 mm) up to Chassis No. 20 - 117 901 M 216 and from Chassis No. 1 144 282	1	
-	211 721 205 G	Push bar - Tandem master cylinder (LHD)	1	211-271
27	N 13 239 1	Clevis pin 8×22×19	1	
28	N 11 558 1	Washer 8.4	1	
29	N 12 512 1	Cotter pin 2×12	1	
30	211 721 233	Mounting bolt - Brake pedal lever	1	
31	211 721 235	Seat - Return spring up to Chassis No. 215 026 861	1	
32	N 11 567 1	Washer 17	1	
33	N 12 416 1	Lockring 16×1	1	

MAIN GROUP

7

FRAME
HAND AND FOOT LEVER SYSTEMS

Foot lever system

Key No.	Part No.	Description	Quantity	Type and model
34	N 12 012 1	Lock washer B 12 DIN 127	1	
35	N 11 020 2	Nut, hex. M 12×1.5 DIN 934	1	
36	211 721 253 A	Pedal (LHD) for clutch pedal (RHD) from Chassis No. 20 - 117 902	2	211-271
			1	214-274
37	214 721 253 A	Pedal - Brake (RHD) from Chassis No. 20 - 117 902	1	214-274
38	N 10 242 5	Bolt, hex. head M 8×25 DIN 933 galvanized	2	
39	N 12 008 2	Lock washer B 8 DIN 127 galvanized	2	
40	N 11 008 3	Nut, hex. M 8 DIN 934 galvanized	2	
41	211 721 319	Pedal - Clutch, with bush (LHD) up to Chassis No. 20 - 117 901	1	211-273
42	214 721 319	Pedal - Clutch (RHD) up to Chassis No. 20 - 117 901	1	214-274
43	N 18 530 1	Grease nipple A 10	1	214-274
44	211 721 319 A	Lever - Clutch pedal (LHD) from Chassis No. 20 - 117 902	1	211-273
45	214 721 319 A	Lever - Clutch pedal (RHD) from Chassis No. 20 - 117 902	1	214-274
-	214 721 335	Cable - Clutch (length 3200 mm) (RHD) up to Chassis No. 20 - 117 901	1	214-274
46	211 721 335 B	Cable - Clutch (length 3116 mm) (LHD) up to Chassis No. 469 505 and from Chassis No. 835 705	1	211-273
-	211 721 335 B	Cable - Clutch (length 3116 mm) (RHD) from Chassis No. 469 506 up to 835 704	1	214-274
-	211 721 335 C	Cable - Clutch (length 3110 mm) (LHD) from Chassis No. 469 506 up to 835 704	1	211-273
-	214 721 335 A	Cable - Clutch (length 3135 mm) (RHD) from Chassis No. 20 - 117 902 up to 469 505 and from Chassis No. 835 705	1	214-274
-	111 721 349	Adjusting nut M 6 - Clutch cable	1	
-	N 11 006 2	Nut, hex. M 6 DIN 934 galvanized	1	

Cotter

MAIN GROUP



FRAME
HAND AND FOOT LEVER SYSTEMS

Foot lever system

Key No.	Part No.	Description	Quantity	Type and model
47	111 721 349 A	Adjusting nut M 7 – Clutch cable up to Chassis No. 215 134 682	1	
48	N 11 007 1	Nut, hex. M 7 DIN 934 up to Chassis No. 215 134 682	1	
-	131 721 349	Wing nut – Clutch cable from Chassis No. 215 134 683	1	
49	211 721 351	Bolt – Clutch cable	1	
-	111 721 355	Coupling – Clutch cable	1	
50	311 721 361	Sleeve – Clutch cable	1	
-	111 513 479	Washer	x	
51	111 721 365	Rubber sleeve – Clutch cable	2	
52	N 12 375 1	Lockring 30×1.5 DIN 471 (RHD)	1	214-274
53	211 721 374	Lever – Clutch cable (LHD)	1	211-273
54	N 12 010 2	Lock washer B 10 DIN 127 galvanized	1	
55	N 11 010 2	Nut, hex. M 10 DIN 934 galvanized	1	
-	211 721 383	Felt – Pedal up to Chassis No. 501 706	2	
56	211 721 383 B	Felt – Pedal from Chassis No. 501 707	2	
-	211 721 385	Felt retainer up to Chassis No. 501 706	2	
57	211 721 387	Sealing sleeve – Push rod from Chassis No. 501 707	2	
58	211 721 395	Seal for clutch pedal bearing (LHD)	1	211-273
59	211 721 509	Pedal – Accelerator (LHD) up to Chassis No. 20 – 117 901	1	211-273
60	214 721 509	Pedal – Accelerator (RHD) up to Chassis No. 20 – 117 901	1	214-274
61	N 13 271 1	Clevis pin 8×28×24 DIN 1434	1	
62	N 12 512 1	pin 2×12 DIN 94	1	

MAIN GROUP



FRAME
HAND- AND FOOT LEVER SYSTEMS

Foot lever system

371

Key No.	Part No.	Description	Quantity	Type and model
63	111 721 529 A	Clevis pin – Accelerator cable (front)	1	
64	N 11 651 1	Washer 5.8	1	
65	N 12 512 1	Cotter pin 2×12	1	
66	214 721 539	Accelerator pedal shaft (RHD) up to Chassis No. 20 – 117 901	1	214-274
67	N 12 006 2	Lock washer B 6	1	214-274
68	N 11 006 2	Nut, hex. M 6	1	214-274
69	211 721 549	Return spring – Accelerator pedal (LHD)	1	211-237
70	111 721 551	Protective tube – Accelerator cable (shorten to 670 mm)	1	
-	211 721 555	Cable – Accelerator (length 3514 mm) (LHD) up to Chassis No. 20 – 117 901	1	211-273
-	211 721 555 A	Cable – Accelerator (length 3564 mm) (RHD) up to Chassis No. 20 – 117 901	1	214-274
-	211 721 555 A	Cable – Accelerator (length 3564 mm) from Chassis No. 20 – 117 902 up to 215 036 650	1	
71	211 721 555 C	Cable – Accelerator (length 3576 mm) from Chassis No. 215 036 651	1	
-	N 13 225 1	Bolt 5×20×18 – Accelerator cable	1	
72	211 721 603	Pedal – Accelerator (LHD) from Chassis No. 20 – 117 902	1	211-273
73	214 721 603	Pedal – Accelerator (RHD) from Chassis No. 20 – 117 902	1	214-274
74	211 721 615	Push rod – Accelerator pedal (LHD)	1	211-273
75	214 721 615	Push rod – Accelerator pedal (RHD)	1	214-274
76	211 259 283	Compression spring – Accelerator pedal push rod	2	
77	211 721 619	Leaf spring – Accelerator pedal push rod	1	
78	211 721 621	Boot – Accelerator pedal push rod	1	
79	211 721 629	Bolt – Accelerator pedal mounting	1	



Key No.	Part No.	Description	Quantity	Type and model
80	211 721 631 B	Lever - Accelerator cable connection (LHD) from Chassis No. 20 - 117 902	1	211-273
81	N 13 242 1	Clevis pin 6×26×23	1	211-273
82	N 11 524 4	Washer A 6.4	1	211-273
83	N 12 507 1	Cotter pin 1.5×15	1	211-273
-	214 721 631	Lever - Accelerator cable connection (RHD) from Chassis No. 20 - 117 902	1	214-274
-	111 255 271 B	Return spring - Accelerator cable connection lever (RHD)	1	214-274
84	N 13 332 1	Pin 4×16 - Accelerator pedal shaft	1	214-274
85	N 10 216 8	Bolt, hex. head M 6×18	2	214-274
86	N 12 006 2	Lock washer B 6	2	214-274
87	N 11 695 2	Washer 6.1	2	214-274
-	214 721 663 A	Accelerator pedal shaft (RHD) from Chassis No. 20 - 117 902 up to 215 190 000	1	214-274
88	214 721 663 C	Accelerator pedal shaft (RHD) from Chassis No. 216 000 001	1	214-274
89	N 12 438 1	C-Washer 9	1	214-274



Part No.	Description	Quantity
SP SETS		
211 798 041	1 set of bumper guards for subsequent installation in VW Transporters comprising:	
213 707 155 A	Override - Bumper, front	2
213 707 177	Guard - Bumper	1
213 707 195	Packing	4
213 707 225	Distance tube, front (length: 55 mm)	2
213 707 355 A	Override, rear, left	1
213 707 356 A	Override, rear, right	1
263 707 385	Guard, rear, left	1
263 707 386	Guard, rear, right	1
213 707 425	Distance tube, rear (length: 50 mm)	2
N 10 241 3	Bolt, hex. head M 8×22	4
N 10 350 3	Bolt, hex. head M 8×50	2
N 10 360 2	Bolt, hex. head BM 8×60	2
N 10 370 1	Bolt, hex. head BM 8×70	4
N 12 008 2	Lock washer B 8	12

**HAND LEVER SYSTEM
PEDAL CLUSTER**

Key	Part No.	Description	Qty.	Type and model
		HANDBRAKE LEVER		
		HEATING CONTROL CABLE		
(1)	211 711 249	Spring - Brake cable to Ch. No. 211 2300 000	1	
1	211 711 249 A	Bracket - Brake cable from Ch. No. 212 2000 001	1	
(2)	211 711 305 C	Lever - Handbrake to Ch. No. 211 2300 000	1	
2	211 711 305 E	Lever - Handbrake from Ch. No. 212 2000 001	1	
3	211 863 341 8/67 -	Boot - Handbrake lever 041 black	1	
4	211 711 329	Spring - Pawl	1	
5	N 13 747 1	Pin A 6 x 35	1	
6	211 711 331	Anchor pin - Brake cables to Ch. No. 211 2300 000	1	
7	N 11 557 2	Washer 6.4 to Ch. No. 211 2300 000	2	
8	N 11 006 2	Nut, hex. M 6 to Ch. No. 211 2300 000	4	
9	211 711 341 A	Pin - Hand brake lever	1	
10	211 711 343	Spring clip	2	
11	211 711 349	Adjusting nut - Brake cable from Ch. No. 212 2000 001	2	
12	211 711 351	Bracket - Ratchet bar with pawl	1	
13	N 10 714 4	Screw, cheese hd. AM 6 x 12	2	
14	211 805 243	Lock washer	2	
15	N 10 210 7	Bolt, hex. hd. M 6 x 10	4	
16	N 12 106 1	Lock washer J 6.4	4	
17	211 711 379	Ratchet bar - Handbrake (LHD)	1	211-271
(17)	214 711 379	Ratchet bar - Handbrake (RHD)	1	214-274
18	N 16 076 1	Eye bolt AM 8 x 45	1	
(19)	N 13 239 1	Pin 8 x 22 x 19 to Ch. No. 211 2300 000	1	
19	N 23 500 1	Pin 8 x 21.5 x 18 from Ch. No. 212 2000 001	1	
-	N 11 558 1	Washer 8.4 to Ch. No. 211 2300 000	1	
20	N 23 624 1	Safety clip 6 from Ch. No. 212 2000 001	1	
-	N 12 507 1	Cotter pin 1.5 x 15 to Ch. No. 211 2300 000	1	
21	111 721 365	Seal - Brake cable	2	
22	211 711 421	Handle - Handbrake	1	
23	N 13 349 1	Spring pin 5 x 20	1	
24	211 711 423	Guide sleeve - Ratchet bar	1	
25	211 711 425	Stop - Ratchet bar	1	

375

26	211 711 435	Trim plate - Handbrake	1	
27	211 711 439 A	Spring - Ratchet bar	1	
28	211 711 471 A	*Cable with roller for handbrake equalization to Ch. No. 219 2300 000	1	M 34, M 506
		from Ch. No. 210 2000 001 to 211 2300 000	1	M 34
29	211 711 475 B	Pull rod - Handbrake equalization from Ch. No. 212 2000 001	1	M 34
30	N 23 497 1	Pin 8 x 14.5 x 11 from Ch. No. 212 2000 001	1	
31	211 711 481	*Compensating lever to Ch. No. 219 2300 000	1	M 34, M 506
		from Ch. No. 210 2000 001 to 211 2300 000	1	M 34
32	211 711 481 A	Compensating lever from Ch. No. 212 2000 001	1	
33	211 711 483	*Pin - Compensating lever to Ch. No. 219 2300 000	1	M 34, M 506
		from Ch. No. 210 2000 001 to 211 2300 000	1	M 34
34	211 711 483 A	Pin - Compensating lever from Ch. No. 212 2000 001	1	
35	N 12 648 1	*Safety clip 8 to Ch. No. 219 2300 000	1	M 34, M 506
		from Ch. No. 210 2000 001 to 211 2300 000	1	M 34
36	211 711 487	*Grommet - Brake cable guide to Ch. No. 219 2300 000	2	M 34, M 506
		from Ch. No. 210 2000 001 to 211 2300 000	2	M 34
37	211 711 349	*Adjusting nut - Brake cable to Ch. No. 219 2300 000	2	M 34, M 506
		from Ch. No. 210 2000 001 to 211 2300 000		M 34
38	211 711 489	*Retainer - Brake cable	1	M 506
	214 711 494	Guide - Brake cable (RHD)	1	M 506: 214-274
39	221 711 605	Cable - Heater vent, center	1	221-244, 265-274
40	111 711 535	Grommet - Heater vent cable	X	
41	N 13 330 2	Spring pin 2.5 x 5	1	221-228, 241, 244
(42)	211 711 629 F	Cable, left - Heating control, 4115 mm - 162 in. (LHD)	1	211-271
		to Ch. No. 211 2300 000		
(42)	211 711 629 K	Cable, left - Heating control 4113 mm - 161 15/16 in. (LHD)	1	211-271
		from Ch. No. 212 2000 001		
(42)	211 711 629 L	Cable, left - Heating control 4126 mm - 162 7/16 in. (LHD)	1	M 251: 211-271
		from Ch. No. 212 2000 001		
42	214 711 629 K	Cable, left - Heating control 4201 mm - 165 13/32 in. (RHD)	1	214-274
		from Ch. No. 212 2000 001		
(42)	214 711 629 L	Cable, left - Heating control 4333 mm - 170 19/32 in. (RHD)	1	M 251: 214-274
		from Ch. No. 212 2000 001		

MAIN GROUP



BODY

	Illustration
01 Floor fittings	38 + A 38 + B 38 + C 38
05 Front portion	38 + A 38 + B 38 + C 38
09 Side panels	38 + A 38 + B 38 + C 38
13 Rear portion	38 + A 38 + B 38 + C 38
17 Roof - Ventilation system	38 + A 38 + B 38 + C 38
21 Step	C 38
27 Engine compartment lid	39
29 Drop sides and rear panel lids	39
31 Doors (cab)	40
37 Door components	40
41 Door wings	40
45 Window glasses and weatherstrips	41
47 Side window components	41
53 Mouldings	42
57 Instrument panel fittings and rear view mirror	42
59 Interior equipment of VW Ambulance	43 + A 43
63 Front panel linings and floor mats	44
67 Interior lining	44
71 Tilt cover	45
75 Sliding roof	46
81 Front seat	47
81 Driver's seat as sliding seat from Chassis No. 971 550	A 47
83 Seat bench, front (in passenger compartment)	47
85 Seat bench, rear (in passenger compartment)	47
87 Seats of VW Ambulance	48
89 Stretcher	48
98 SP sets	—

Printed in Germany 795 227 20